

# CENTRIFUGAL PUMPS

SELF-PRIMING FBSEF (1½–7½ HP)

**FPS**

## FEATURES

- Volute: Rugged cast iron construction with a large chamber for rapid self priming
- Impeller: Semi-open cast iron ideal for handling fertilizer, salt water, dirty water, or other liquids; blind-hole tapped so liquid will not corrode the shaft
- Mechanical Seal: Carbon/ceramic faces; FKM elastomers; 300-series stainless steel components
- Motor: Reliable, industry-standard; totally-enclosed; fan-cooled TEFC enclosure



## SPECIFICATIONS

- Capacities to 295 gpm
- Heads to 92 feet
- 75 psi maximum working pressure
- 212 °F maximum temperature
- Clockwise rotation when viewed from motor end
- NPT pipe connections

## APPLICATIONS

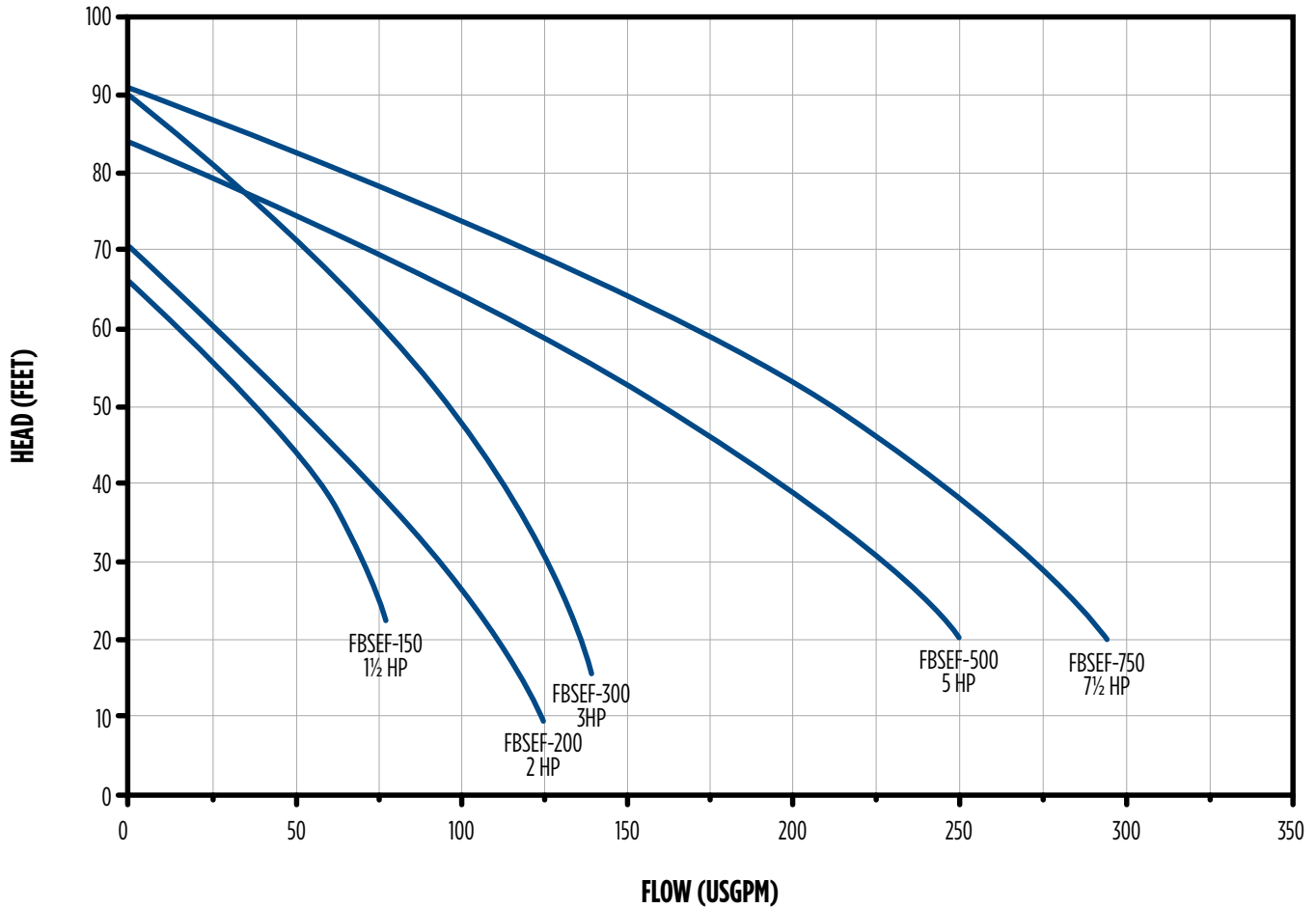
- Irrigation
- Construction
- Mining
- Commercial
- Municipal
- Light Industrial
- Residential

# CENTRIFUGAL PUMPS

SELF-PRIMING FBSEF (1½-7½ HP)



## PERFORMANCE



## ORDERING INFORMATION

Model	HP	PH	Volts	Suction/Discharge	Order No.	Wt.
FBSEF-150-SC	1½	1	115/230	1-1/4" x 1-1/4"	92932015	52
FBSEF-200-SC	2	1	230	2" x 2"	92932020	60
FBSEF-300-SC	3	1	230	2" x 2"	92932030	71
FBSEF-500-SC	5	1	230	3" x 3"	92932050	165
FBSEF-300-TC	3	3	208-230/460	2" x 2"	92934030	77
FBSEF-500-TC	5	3	208-230/460	3" x 3"	92934050	148
FBSEF-750-TC	7½	3	208-230/460	3" x 3"	92934075	148
FBSEF-500K	5	PE	-	3" x 3"	92920050	50
FBSEF-750K	7½	PE	-	3" x 3"	92920075	60

NOTE: All dimensions in inches. All weight in pounds. Pump end kits (less power).

# CENTRIFUGAL PUMPS

SELF-PRIMING FBSEF (1½-7½ HP)



## DIMENSIONS

FIGURE 1

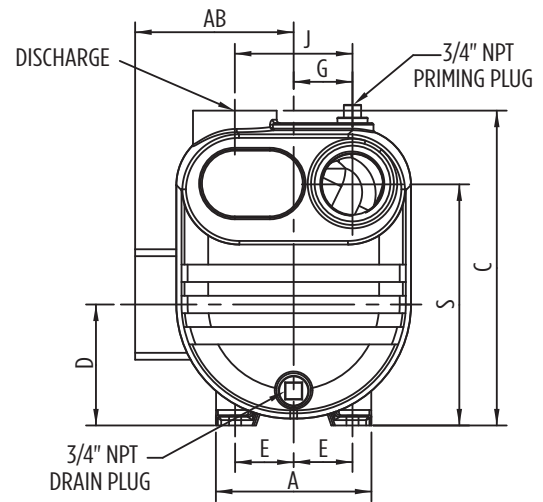
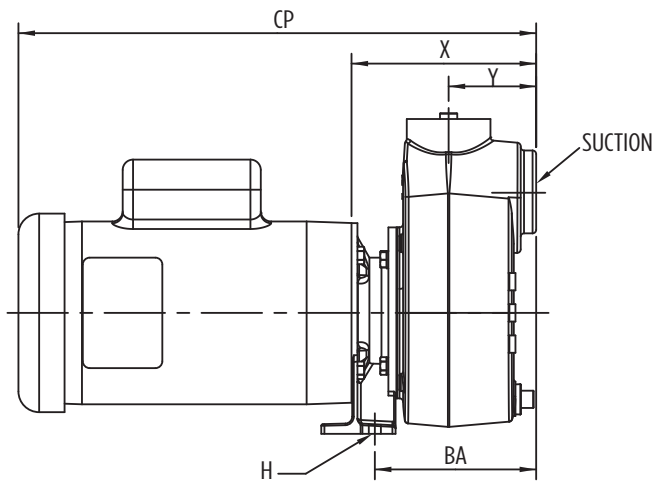
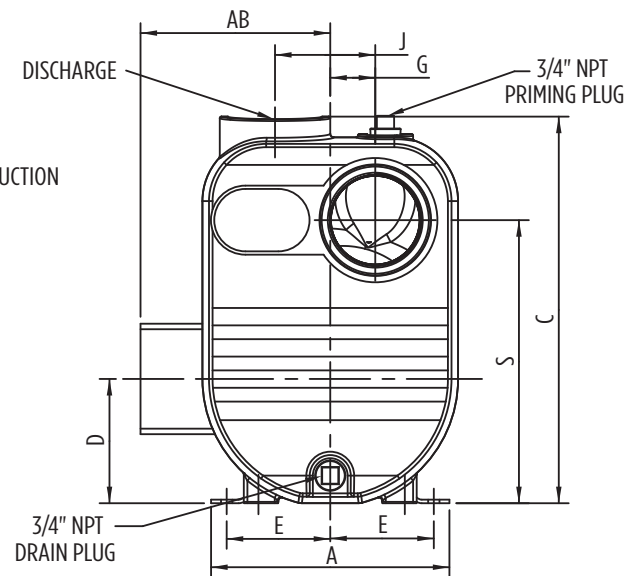
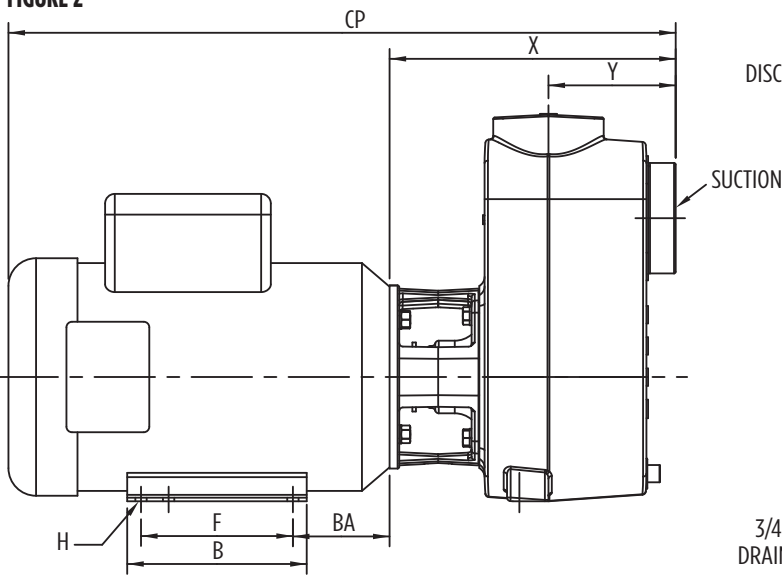


FIGURE 2



Model	Fig.	Suction	Discharge	A	B	C	CP	D	E	F	G	H	J	S	X	Y	AB	BA
FBSEF-150-SC	1	1¼	1¼	5.63	N/A	9.69	17.17	3.81	2.12	N/A	2.00	.44	4.00	7.44	6.54	3.26	N/A	5.66
FBSEF-200-SC	1	2	2	5.63	N/A	11.40	18.75	4.38	2.12	N/A	2.13	.44	4.26	8.73	6.69	3.17	5.74	5.84
FBSEF-300-SC	1	2	2	5.63	N/A	11.40	19.81	4.38	2.12	N/A	2.13	.44	4.26	8.73	6.69	3.17	5.74	5.84
FBSEF-500-SC	2	3	3	5.63	6.50	14.00	24.16	4.50	3.75	5.50	1.63	.41	3.63	10.25	10.36	4.61	6.87	3.50
FBSEF-300-TC	1	2	2	5.63	N/A	11.40	17.87	4.38	2.12	N/A	2.13	.44	4.26	8.73	6.69	3.17	5.74	5.84
FBSEF-500-TC	2	3	3	5.63	6.50	14.00	22.67	4.50	3.75	5.50	1.63	.41	3.63	10.25	10.36	4.61	6.87	3.50
FBSEF-750-TC	2	3	3	5.63	6.50	14.00	24.17	4.50	3.75	5.50	1.63	.41	3.63	10.25	10.36	4.61	6.87	3.50

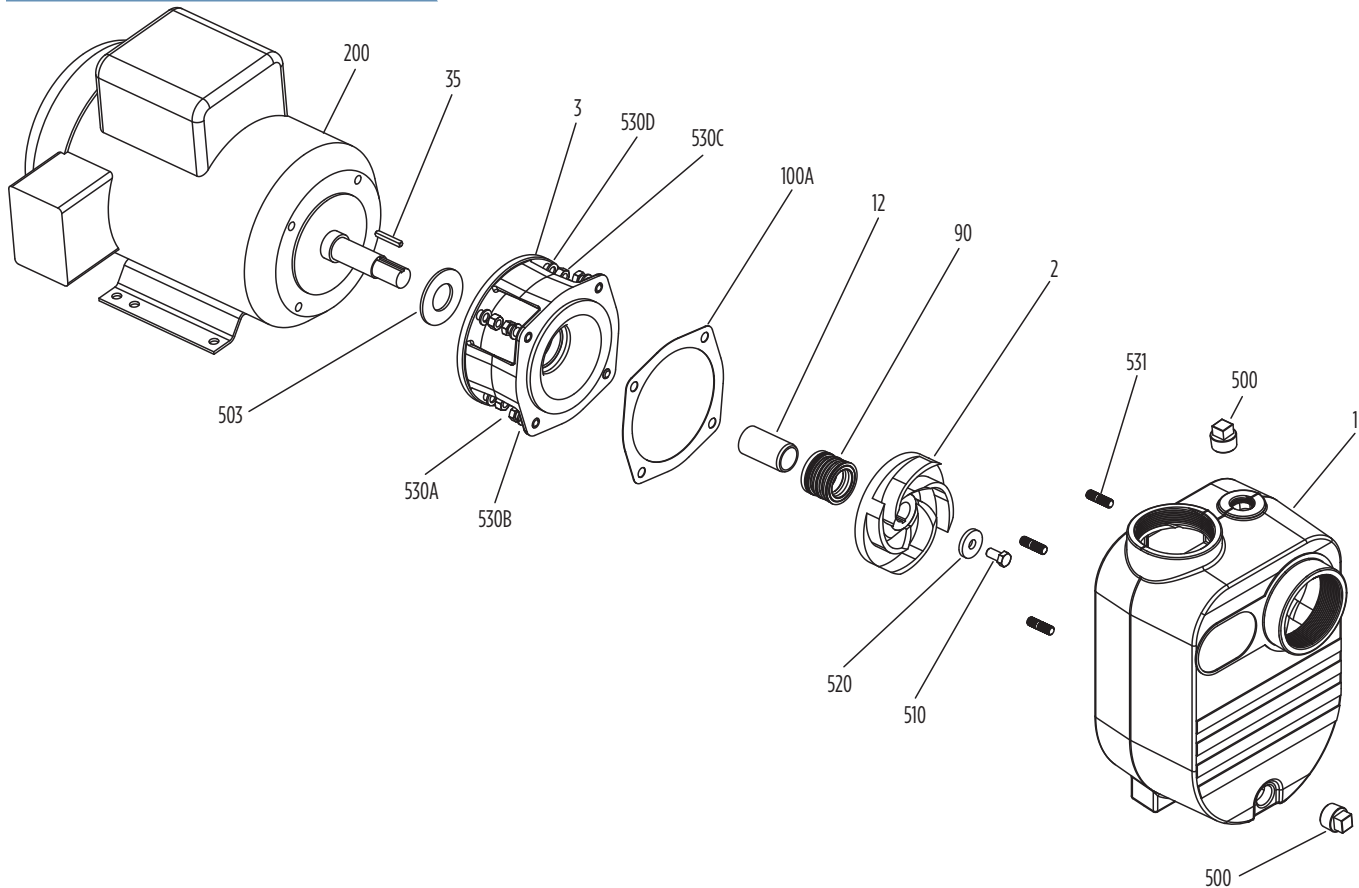
NOTE: Dimensions are for estimating purposes only. All dimensions in inches.

# CENTRIFUGAL PUMPS

SELF-PRIMING FBSEF (1½-7½ HP)



## MATERIALS AND PARTS



## MATERIALS AND PARTS

Fig. No.	Part Description	Part No.					Materials of Construction
		FBSEF-150	FBSEF-200	FBSEF-300	FBSEF-500	FBSEF-750	
1	Pump Case	305715001	305460001		305460002		Cast iron, ASTM-A48 CL30
2	Impeller	305453053	305715003	305715004	305715005	305715006	Cast iron, ASTM-A48 CL30
3	Motor Adapter	305715007	305715008		305715009		Cast iron, ASTM-A48 CL30
12	Mech. Seal Shaft Sleeve	N/A	N/A	N/A	305458011		416 stainless steel
35	Shaft Key	N/A	N/A	N/A	305451003		301 stainless steel
90	Mechanical Shaft Seal		305463029		305463043		Carbon/ceramic x FKM-SS
100A	Case Gasket	305463133	305463124		305463126		EPDM
200	Motor		See Motor Selection				Misc.
500	Pipe Plug 3/4" NPT (3-pack)		305463050				CAD-plated steel
503	Water Slinger		305453005		305453030		Neoprene
510	Impeller Hex Bolt	N/A	N/A	N/A	305463077		416 stainless steel
520	Impeller Washer	N/A	N/A	N/A	305463187		303 stainless steel
530A	Hex Cap Screw - Motor (8-/12-pack)		305463030		305463010		Zinc-plated steel
530B	Flat Washer/ Lockwasher - Volute (8-pack)		305453006		305463032		Zinc-plated steel
530C	Hex Nut - Volute (8-pack)	N/A	N/A	N/A	305463033		Zinc-plated steel
530D	Lockwasher - Motor Adapter (8-pack)	N/A	N/A	N/A	305463032		Zinc-plated steel
531	Hex Bolt/Threaded Stud (4-pack)		305463253		305463129		300-series stainless steel

# NOTES

SELF-PRIMING FBSEF (1½-7½ HP)



# NOTES

SELF-PRIMING FBSEF (1½-7½ HP)



# NOTES

SELF-PRIMING FBSEF (1½-7½ HP)





**Franklin Electric**